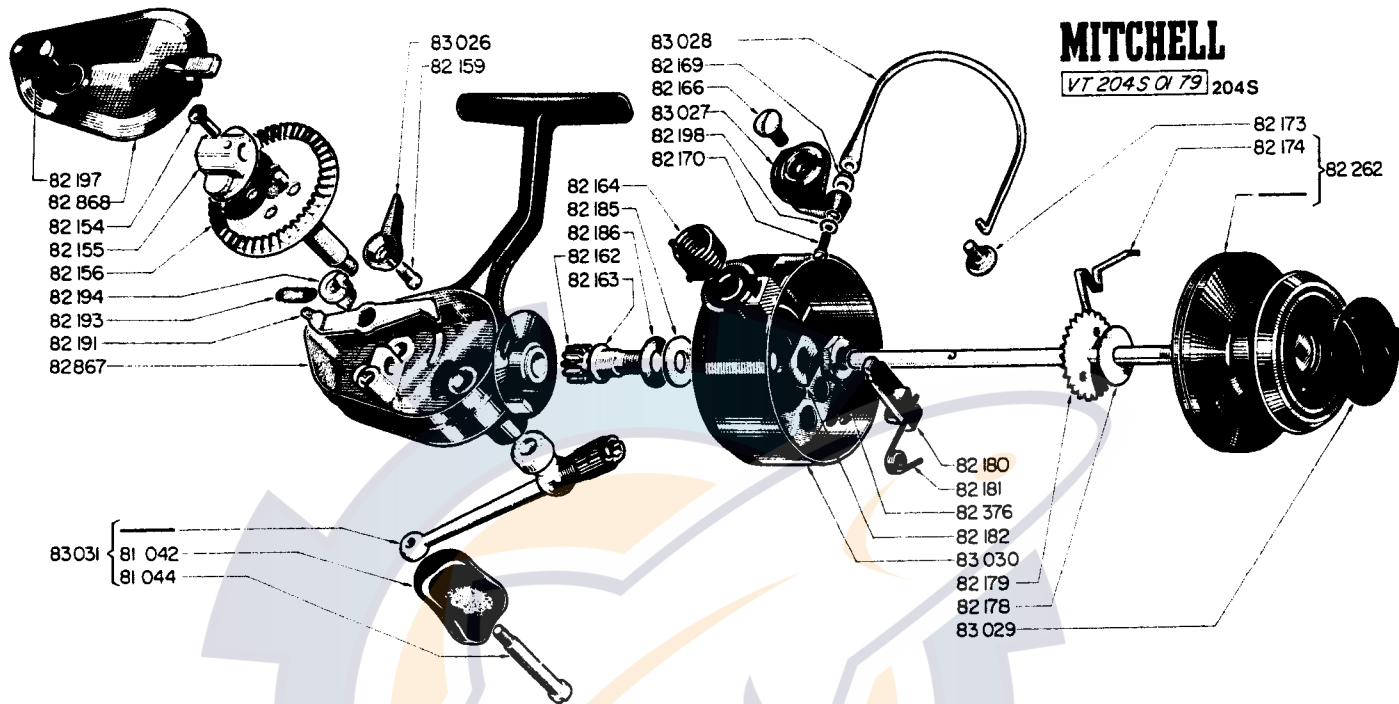


204S



MITCHELL
VT 204S Q179 204S

CODE NO.	DESCRIPTION	SUGGESTED RETAIL
81042	Handle Knob	.60
81044	Handle Knob Screw	.60
82154	Oscillation Slide Lock	.25
82155	Oscillation Slide	.40
82156	Drive Gear	3.00
82159	Anti Reverse Lever Screw	.40
82162	Pinion Gear	1.70
82163	Thrust Washer	.25
82164	Bail Spring	.40
82166	Bail Lock Screw	.45
82169	Line Guide	2.40
82170	Line Guide Screw	.40
82173	Bail Screw N 2	.45
82174	Click Spring	.40
82178	Drag Washer	.25
82179	Axle	1.70
82180	Bail Trip	.40
82181	Bail Trip Spring	.25
82182	Keyed Washer	.25
82185	Rotating Head Washer	.25
82186	Shims to Adj. Head Pinion Gear	.40
82191	Anti Reverse Dog	1.10
82193	Anti Reverse Spring	.25
82194	Anti Reverse Cam	.45
82197	Side Plate Screw	.40
82198	Bail Wire Lock Washer	.25
82262	Spool Complete	2.15
82376	Hex Nut	.30
82867	Housing	9.75
82868	Cover Plate	1.85
83026	Anti Reverse Lever	.50
83027	Bail Wire Mount	1.05
83028	Bail Wire	3.85
83029	Drag Adjusting Knob	1.50
83030	Rotating Head	3.60
83031	Handle Complete	5.25